



§ BRIEF SPECIFICATION §

FDT Tech Module No: **LP101G0BDY-FNR**

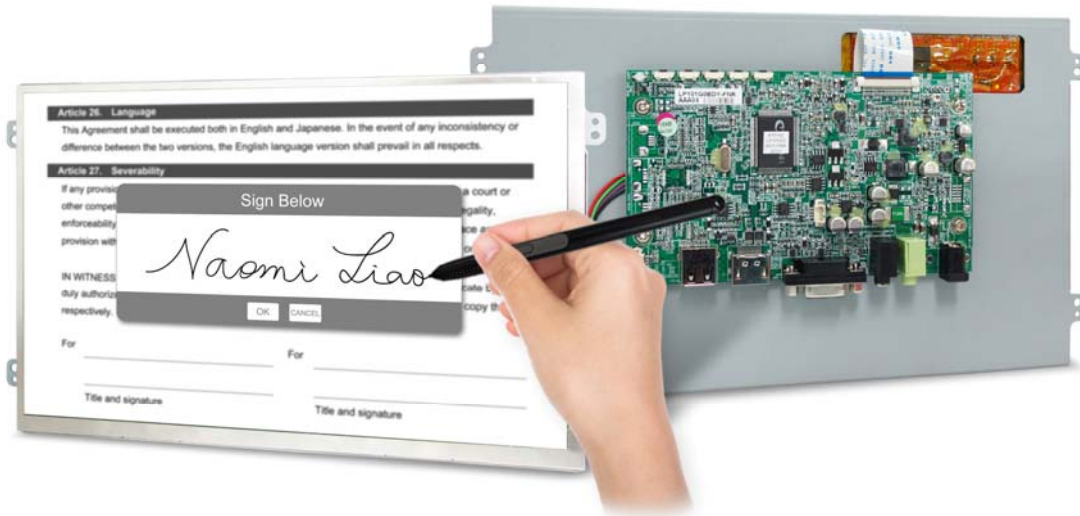
Description: **10.1" Electromagnetic Touch Screen KIT**

SPEC No.: **SAS-1803005**

Version: **0.0**

Issue Date: **March 16, 2018**

This specification contains 6 pages including the cover and appendix.



Features

- 10.1" (1280x800) Digital TFT LCD
- Aspect Ratio: 16:10
- Input Signal VGA / HDMI 1.3a
- Maximum Support Resolution 1920x1080
- Headphone Driver, 46mW@32Ω
- Projected Capacitive Touch
- 5 Key Buttons Controls
- 9 Language OSD Menu
- LED Backlight
- Single Operation Voltage +12V
- Electromagnetic Touch Screen
- Electromagnetic Pen

Applications

- Industrial
- Medical Environment
- Instrument Display
- Kiosk
- Security
- Signage
- Office Electronics
- Home Application
- Educate Application



Specifications

LCD	
Panel Size	10.1"
Resolution (Pixels)	1280x800
Luminance	300 cd/m ²
Contrast Ratio	800
View Angle	85 / 85 / 85 / 85
LED Life Time	20K (Min)
Touch Screen	
Interface	USB
Support OS	Windows 7 / 8 / 10
Technology	Elector-magnetic
Interface	USB
Resolution	0.01mm / 2560 LPI
Coordinate Accuracy	±0.4mm
Detectable Pen Tilt	Up to 60° from vertical
Position Report Rate	190 PPS

Input Signal	
VGA	D-Sub15
HDMI	1.3a
Audio	
Headphone Driver (Line In & out)	46mW@32Ω Phone Jack ϕ 3.5
Mechanical	
Key	5 Buttons
Serial Remote Control	UART / RS232 (Option)
Power Requirement	
Power Input (DC Jack 2.1 ϕ)	+12 VDC
Power Consumption	6.96W
Environment	
Temperature Range	Operating: 0 ~ +50°C Storage: -20 ~ +60°C
High Temperature & High Humidity (Non-condensing)	Operating: 40°C / 90%

Electromagnetic Touch Pen Characteristics

Parameter	Specifications
Technology	Battery free Electro-magnetic Pen
Pressure Resolution	2048 levels
Pressure Range	20g : 1~200 Level, 2048 Level ≤ 500g
Stylus Button	1 button
Coordinate Jitters	1-point max
Stylus Barrel Material	PC
Stylus Pulling Force	> 15KG
Stylus Bending Force	> 8.5KG
Click Life	1000K Times
Tip Abrasion	50K Times (Abrasion < 1mm)
Button Life	200K Times

Order Information

Item	LP101G0BDY-FNR	Unit	Remark
VGA	⊙		
HDMI	⊙		
Touch Panel Type	Electromagnetic		
Touch Screen Interface	USB		
Electromagnetic Pen	⊙		
Headphone Driver (Line In & out)	⊙		
5 Keys	⊙		
Condition	Standard		

Item	Condition
RS232 Remote Control	Customized
External Key	

Note: Special order condition will apply to non-standard items and pls. contact salespersons in FDT.

Accessories (Option)

Before you begin installing the KIT, please make sure that the following materials have been shipped:



A. LASTD12033-FDR



B. LAACD18000-FDR



C. LACABLE068-FDR



D. LAVGA18000-FDR



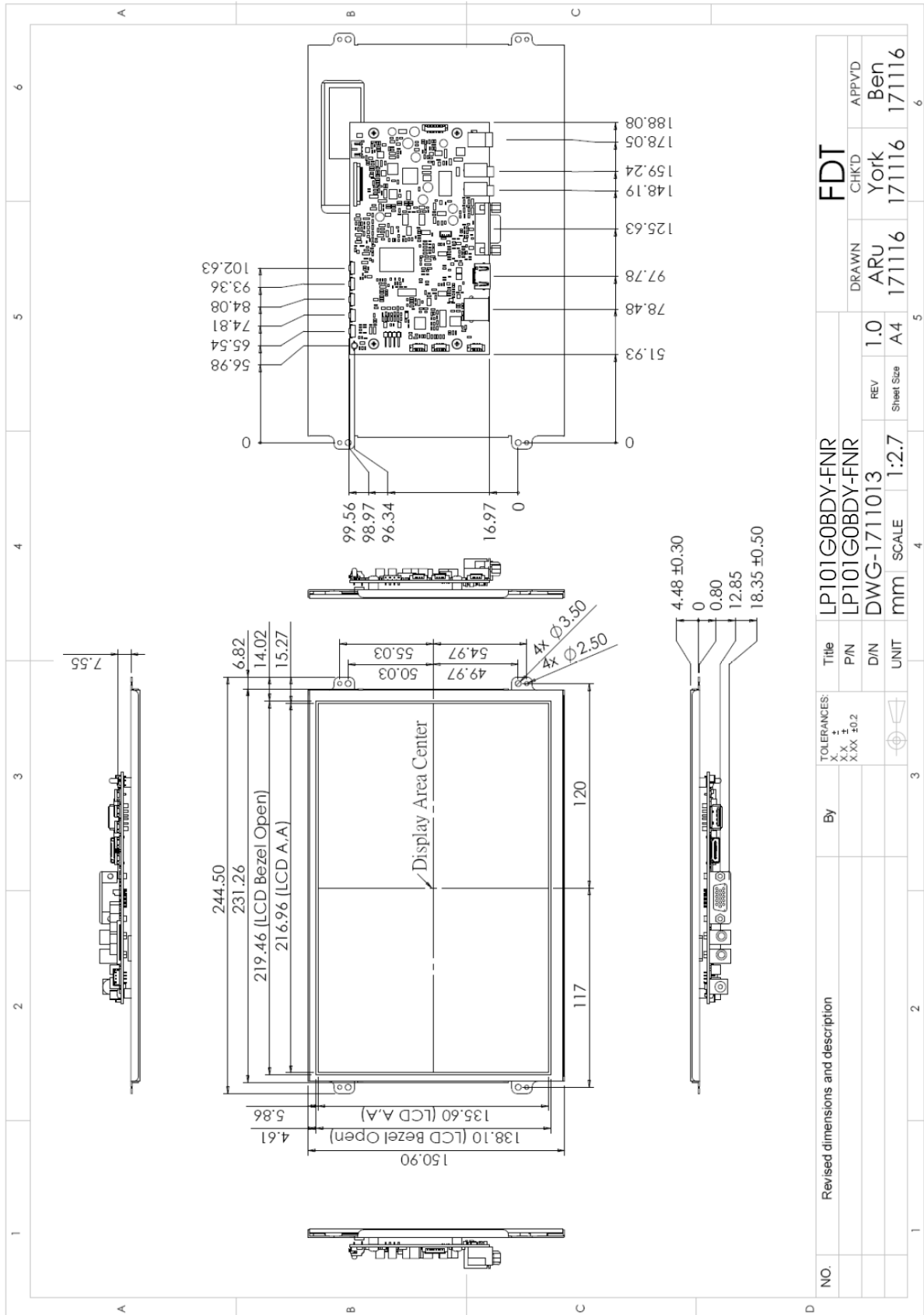
E. LAUSB18000-FDR

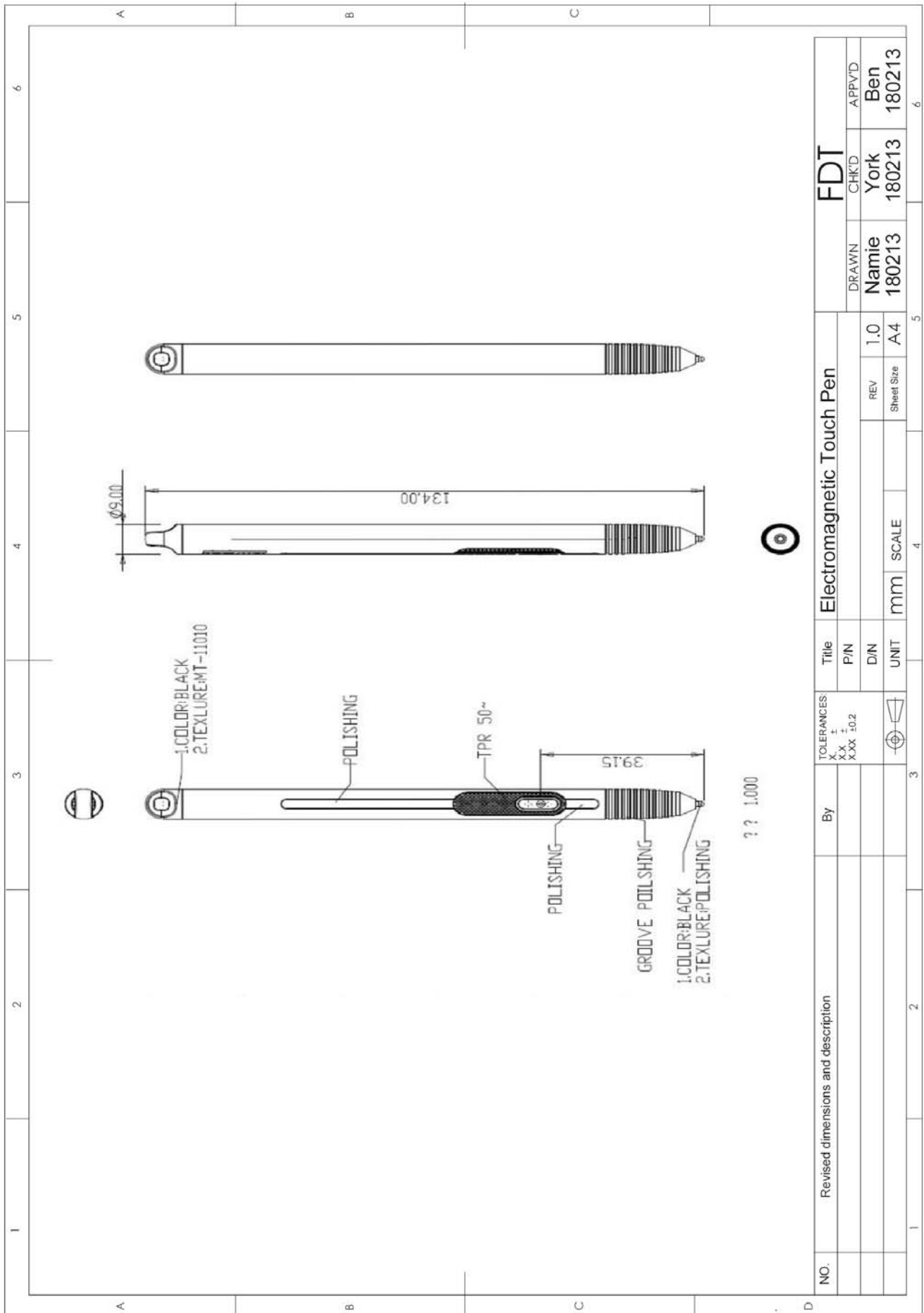


F. LACABLE070-FDR

- A. AC to DC Adapter (L:1500mm, 100-240V_{AC} 50-60Hz to +12V_{DC} @ 3.3A, ϕ 2.1)
- B. Power Cord (L:1800mm, Plug Type B for USA)
- C. HDMI Cable (L:1800mm)
- D. VGA Cable (L:1800mm)
- E. USB Cable (L:1800mm)
- F. AUDIO Cable (L:1800mm)

Dimension





NO.	Revised dimensions and description	By	Title	Electromagnetic Touch Pen			FDT												
				P/N	D/N	UNIT	mm	SCALE	A4	REV	1.0	DRAWN	Namie	180213	CHK'D	York	180213	APPVD	Ben